

# NUFLEX

## CONTINUOUS SLEEVE GEAR COUPLINGS

Fig. 1: SIZE 105 - 110

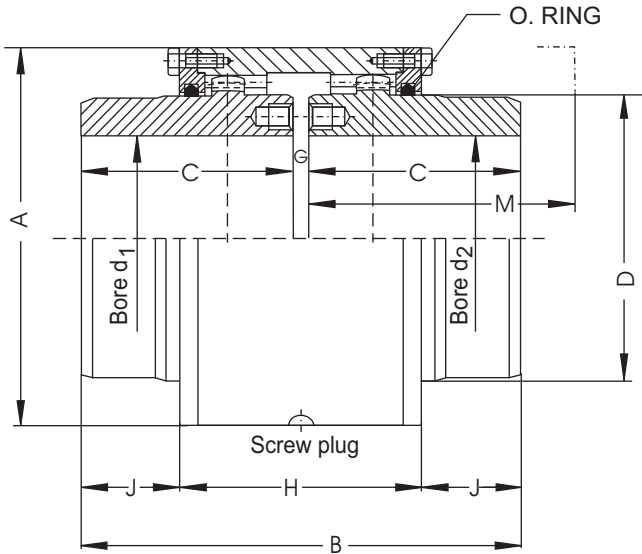
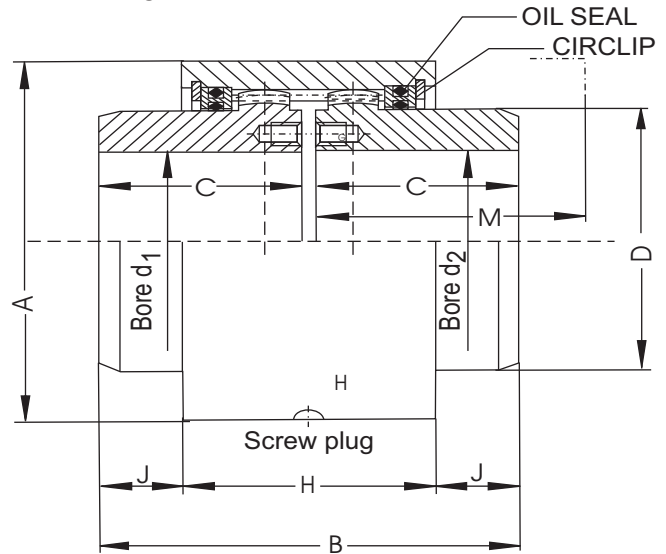


Fig. 2: SIZE 100 - 104



### COMMON FOR BOTH COUPLINGS

NU-TECK NO.	H.P. CAPACITY AT 100 R. P. M.	MAX. R. P. M.	BORE MIN. d <sub>1</sub>	BORE Max. d <sub>2</sub>	A	B	C	D	G	H	J	M
CSGC-100	7	8000	10	32	80	93	45	50	3	57	18	75
CSGC-101	14	6300	20	45	110	115	55	65	5	70	22.5	90
CSGC-102	35	5000	30	60	125	145	70	85	5	76	34.5	100
CSGC-103	63	4000	40	75	160	175	85	105	5	100	37.5	130
CSGC-104	119	3350	50	90	185	215	105	130	5	110	52.5	150
CSGC-105	182	2800	60	110	210	230	110	155	10	122	54	160
CSGC-106	280	2500	75	125	240	260	125	175	10	142	59	190
CSGC-107	490	2100	90	140	270	290	140	205	10	166	62	220
CSGC-108	630	1900	105	160	300	320	155	230	10	176	72	240
CSGC-109	780	1700	125	180	340	340	165	250	10	180	80	240
CSGC-110	1150	1400	140	220	400	370	180	310	10	200	85	270

= HP / 100 RPM

Manufactured & Marketed by :



**NU-TECK COUPLINGS PVT. LTD.**

REGD. OFFICE & WORKS : B-1-C-13, BHOSARI INDUSTRIAL ESTATE, P.B. NO. 14, PUNE - 411 026 (INDIA)

• TEL. : 27120103, 27120104, 65337258, 65105294 • FAX : (020) 27121223 • E-mail : info@nuteckcouplings.com • Website : www.nuteckcouplings.com

### OUR STOCKISTS

• AHMEDABAD : RAKESH ENTERPRISES :

L - 453, GIDC Estate, Odhav, Ahmedabad - 382 415, Tel. : 079-22870088, 22870085  
E-mail : rakeshenterprise99@gmail.com

• MUMBAI : DEEPAK ENTERPRISES :

Karmastambh, Unit No. G-D-8, Ground Floor, L.B.S. Marg, Vikhroli (W) Mumbai - 400 083  
Tel. : 022-25770706 Fax : 25702975 E-mail : deepak\_ent@yahoo.com

• DELHI : DEL-KAYESS INDUSTRIAL SERVICES :

5574-A/17 & Kansiram Market, New Chandrawal, (Opp. 18 F Kamalanagar) Delhi - 110 007  
Tel. : 011-23858804, Telefax : 23856823 E-mail : deljayess@gmail.com

• SECUNDERABAD : COMMERCIAL ENGINEERING CORPORATION :

3 Aziz Mansion 5-5-83 Raniganj, Secunderabad - 500 003.  
Tel. : 040-27714574, 27710272 E-mail : cecbkg@gmail.com

• CHENNAI :

SHREE SYSTEM ENTERPRISES :  
"Shubhshree" H-26, Central Avenue, Korattur, Chennai-600 080  
Phone : 044-26257205, 26252219 Fax : 044-26357379  
E-mail : jeevandos@gmail.com

[www.nuteckcouplings.com](http://www.nuteckcouplings.com)

# NUFLEX

## CONTINUOUS SLEEVE GEAR COUPLINGS

### DESIGN FEATURES

- CSGC Gear couplings comprise of two externally toothed steel Hubs coupled by means of steel internally toothed sleeve.
- The sleeve is sealed at each end by single lip seal, retained by a circlip, for size 100-104.
- The sleeve is sealed at each end by end cover having O-ring arrangement for size 105 - 110.
- The hub teeth are both crowned and bared to give misalignment of 0.75<sup>0</sup> per Gear mesh with maximum teeth contact.

### SERVICE FACTOR

### PRIMER MOVER

Driven Unit (Machinery)	PRIMER MOVER		
	Electric Motor or Steam Turbine	Gasoline or Diesel Engine 4 or more cyl.	Gasoline or Diesel Engine, more than 6cyl.
<b>LIGHT</b> Uniform of Steady load never exceeding horse power rating, infrequent starting; Agitators, Blowers, Can Filling Machines, Conveyors, Fans, Generators, Pumps, Steering Gear, Stokers.	1.0	1.5	2.0
<b>MODERATE</b> Heavy inertia, moderate shock, frequent starting; peak loads do not exceed 125 per cent average horsepower. Uneven load : Conveyors, Feeders, Welding, Laundry Washers, Mixers, Paper Mills, Printing Presses, Screens, Textile Industry, Car Pullers.	1.5	2.0	2.5
<b>HEAVY</b> Heavy shock conditions or frequent reversing peak loads do not exceed 150 per cent average horse power. Uneven load. Cranes & Hoists, Crushers, Dredges, Elevators, Hammer Mills, Lumber Industry, Machine Tools, Metal Mills, Oil Industry, Rubber Industry, windlass.	2.0	2.5	3.0

### HOW TO SELECT THE RIGHT NUFLEX GEAR COUPLING

1. Select the size NUFLEX Coupling that will accommodate the diameter of the largest shaft. Usually this will determine the proper size Coupling for you application.
2. To make sure this Coupling has the required capacity : a) Check your application against the Service Factor Chart.  
 b) Use the following formula to obtain the HP per 100 RPM of your application :  $\frac{HP \times Service\ Factor \times 100}{RPM}$

#### NOTE :

- 1) **Made to order/ Special Gear Couplings also can be manufactured.**
- 2) **Heat Treatment will be done on request at extra cost.**