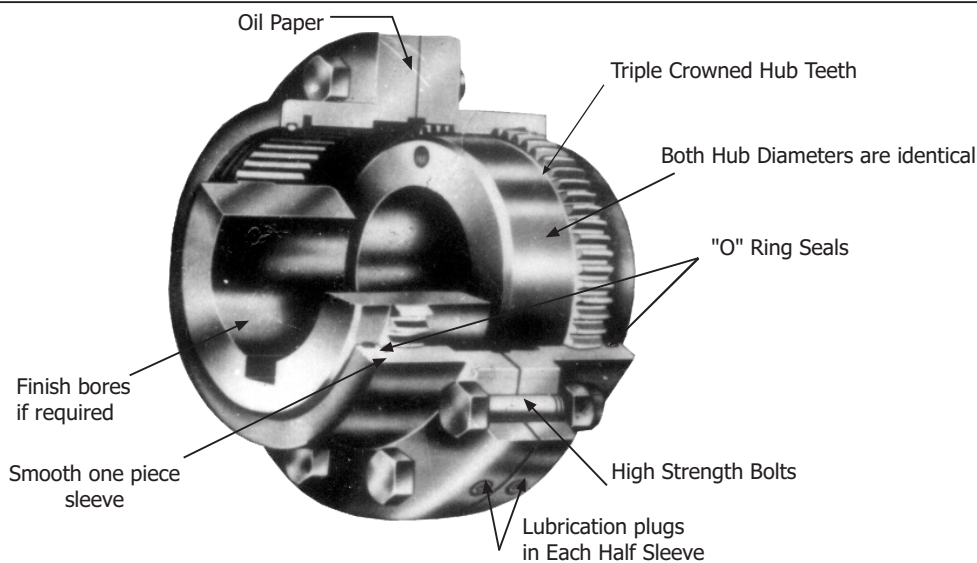


# NUFLEX

## FLEXIBLE GEAR COUPLINGS



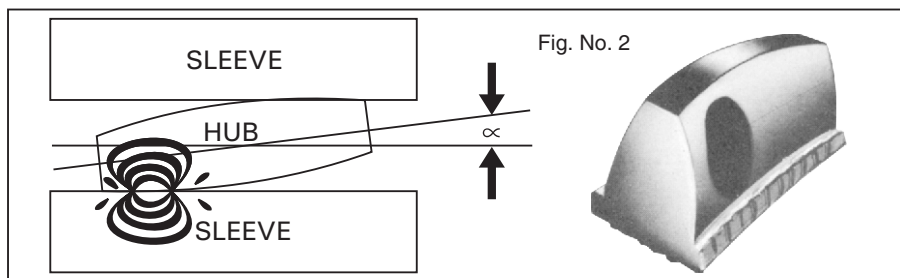
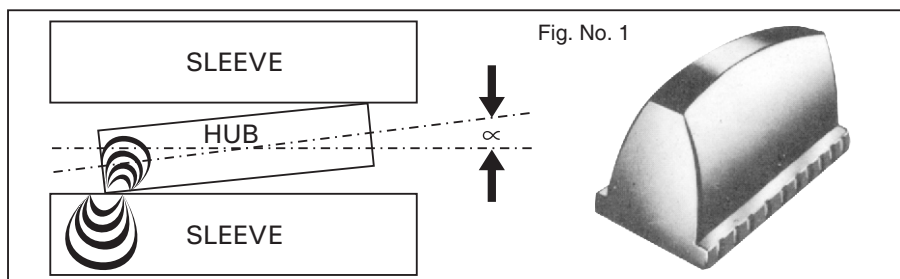
Under the misalignment condition of two shafts of the equipment, the teeth contact in case of straight cut hub will be as minimum as shown in the figure No. 1

Under heavy loads the ends of the hub teeth will get damaged resulting in the excessive play between hub & sleeve. And, therefore, the reduction in life of coupling.

### NU-TECK TRIPLE-CROWNED TEETH

The triple crowned teeth hub is manufactured on a fully automatic hobbing machine with built in crowing attachment which is controlled by hydraulic & electronic systems.

Under the misalignment condition of two shafts on the equipment, due to the curvature on teeth flank the contact area is much more and therefore, there is increase in life of coupling.



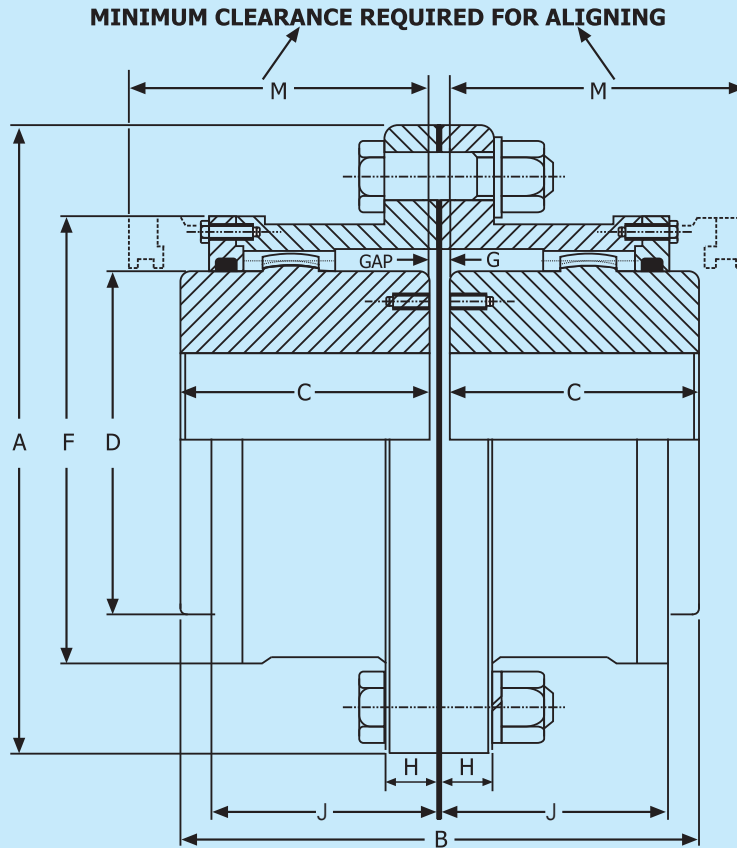
**MISALIGNMENT DETAILS :** In case of straight tooth gear coupling the maximum allowable angular misalignment ( $\alpha$ ) is 1.1/2 deg. and in case of NUTECK Triple Crowned tooth Gear Coupling the misalignment is 7.1/2 deg.

### SERVICE FACTORS

### PRIMER MOVER

Driven Unit (Machinery)	Electric Motor or Steam Turbine	Gasoline or Diesel Engine 4 or more cyl.	Gasoline or Diesel Engine, more than 6 cyl.
<b>LIGHT :</b> Uniform or Steady load never exceeding horse rating, infrequent starting; Agitators, Blowers, Can Filling Machines, Conveyors, Fans, Generators, Pumps, Steering Gear, Stokers.	1.0	1.5	2.0
<b>MODERATE :</b> Heavy inertia, moderate shock, frequent starting; peak loads do not exceed 125 per cent average horsepower. Uneven load : Conveyors, Feeders, Welding, Laundry Washers, Mixers, Paper Mills, Printing Presses, Screens, Textile Industry, Car Pullers.	1.5	2.0	2.5
<b>HEAVY :</b> Heavy shock conditions or frequent reversing peak loads do not exceed 150 per cent average horse power. Uneven load. Cranes & Hoists, Crushers, Dredges, Elevators, Hammer Mills, Lumber Industry, Machine Tools, Metal Mills, Oil Industry, Rubber Industry, windlass.	2.0	2.5	3.0

# NUFLEX FULL FLEXIBLE GEAR COUPLINGS



NU-TECK G. C. NO.	LOAD CAPACITY		Max. R.P.M.	BORE MIN.	BORE Max.	DIMENSION IN MM									WR <sup>2</sup> Kg <sup>m</sup>	Wt. In Kg.
	H. P. CAPACITY AT 100 R.P.M.	Max. TORQUE Kg. M.				A	B	C	D	F	G	H	J	M		
GC-111	1700	12220	1250	160	260	545	410	200	350	451	10	30	192	240	58	550
GC-112	2250	16170	1120	180	300	590	490	240	405	496	10	30	231	280	88	710
GC-113	3025	21660	1000	200	330	680	535	260	440	566	15	35	242	310	138	980
GC-114	4300	30800	900	220	370	730	575	280	500	616	15	35	266	330	291	1320
GC-115	5200	37230	800	250	410	780	655	320	550	666	15	35	305	370	353	1700
GC-115 M	7480	53570	750	300	420	825	690	335	558	690	20	45	320	400	500	2000
GC-116	8380	60000	710	300	455	900	720	350	630	775	20	45	330	420	691	2550
GC-116 M	10145	72000	670	330	480	950	770	375	680	810	20	45	340	460	965	3100

### HOW TO SELECT THE RIGHT NUFLEX GEAR COUPLING

- Select the size NUFLEX Coupling that will accommodate the diameter of the largest shaft. Usually this will determine the proper size Coupling for your application.
- To make sure this Coupling has the required capacity : a) Check your application against the Service Factor Chart. b) Use the following formula to obtain the HP per 100 RPM of your application :  $\frac{HP \times Service\ Factor \times 100}{RPM} = HP / 100\ RPM$

**NOTE :** Dynamic balancing & Heat Treatment will be done on request.



**Manufactured & Marketed by :**  
**NU-TECK COUPLINGS PVT. LTD.**

**REGD. OFFICE & WORKS :** B-1-C-13, BHOSARI INDUSTRIAL ESTATE, P.B. NO. 14, PUNE - 411 026 (INDIA)

• TEL. : 27120103, 27120104, 65337258, 65105294 • FAX : (020) 27121223 • E-mail : info@nuteckcouplings.com • Website : www.nuteckcouplings.com

### OUR STOCKISTS

- |   |   |
|---|---|
| <ul style="list-style-type: none"> <li>• <b>AHMEDABAD :</b> RAKESH ENTERPRISES :<br/>L - 453, GIDC Estate, Odhav, Ahmedabad - 382 415, Tel. : 079-22870088, 22870085<br/>E-mail : rakeshenterprise99@gmail.com</li> <li>• <b>MUMBAI :</b> DEEPAK ENTERPRISES :<br/>Karmastambh, Unit No. G-D-8, Ground Floor, L.B.S. Marg, Vikhroli (W) Mumbai - 400 083<br/>Tel. : 022-25770706 Fax : 25702975 E-mail : deepak_ent@yahoo.com</li> <li>• <b>DELHI :</b> DEL-KAYESS INDUSTRIAL SERVICES :<br/>5574-A/17 &amp; Kansiram Market, New Chandrawal, (Opp. 18 F Kamalanagar) Delhi - 110 007<br/>Tel. : 011-23858804, Telefax : 23856823 E-mail : deljayess@gmail.com</li> </ul> | <ul style="list-style-type: none"> <li>• <b>SECUNDERABAD :</b> COMMERCIAL ENGINEERING CORPORATION :<br/>3 Aziz Mansion 5-5-83 Ranigani, Secunderabad - 500 003.<br/>Tel. : 040-27714574, 27710272 E-mail : cecbkg@gmail.com</li> <li>• <b>CHENNAI :</b> SHREE SYSTEM ENTERPRISES :<br/>"Shubhshree" H-26, Central Avenue, Korattur, Chennai-600 080<br/>Phone : 044-26257205, 26252219 Fax : 044-26357379<br/>E-mail : jeevandos@gmail.com</li> </ul> |
|---|---|

[www.nuteckcouplings.com](http://www.nuteckcouplings.com)