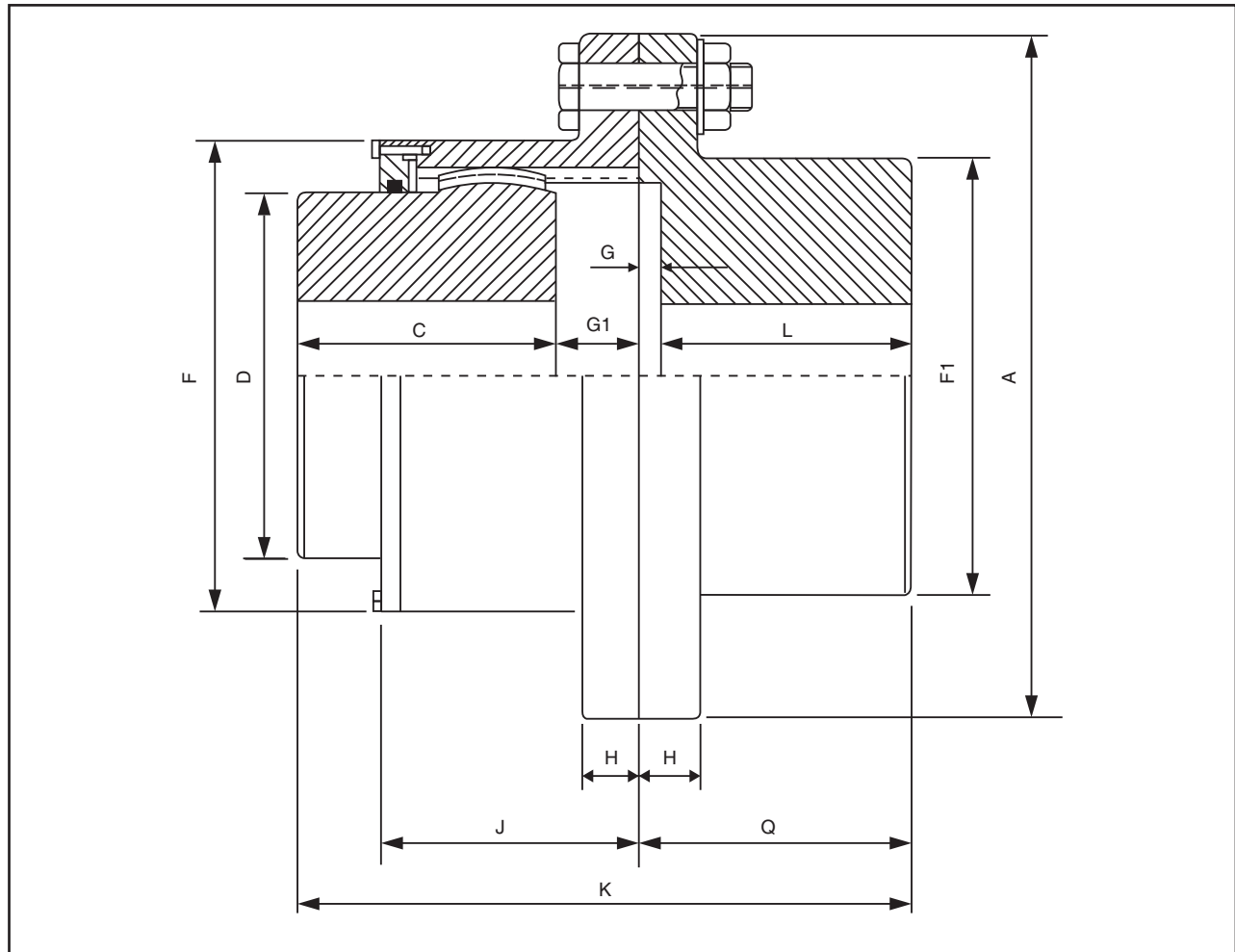


NUFLEX FLEXIBLE GEAR COUPLING FOR PAPER REFINER



NU-TECK G.C. NO.	H.P. CAPACITY AT 100 R.P.M.	PILOT BORE	BORE MAX IN HUB	BORE MAX IN RIGID	DIMENSION IN mm										
					A	C	D	F	G	G1	F1	Q	H	J	K
GC -102- HPR	35	30	60	75	185	92	85	125	5	30	110	72.5	17	82	194
GC -104- HPR	119	50	90	110	250	105	130	175	7	35	160	107.5	20	96	247
GC -105- HPR	182	60	110	130	290	110	155	200	7	35	185	115	25	106	260

Manufactured & Marketed by :



NU-TECK COUPLINGS PVT. LTD.

REGD. OFFICE & WORKS : B-1-C-13, BHOSARI INDUSTRIAL ESTATE, P.B. NO. 14, PUNE - 411 026 (INDIA)

• TEL. : 27120103, 27120104, 65337258, 65105294 • FAX : (020) 27121223 • E-mail : info@nuteckcouplings.com • Website : www.nuteckcouplings.com

OUR STOCKISTS

- **AHMEDABAD** : RAKESH ENTERPRISES :
L - 453, GIDC Estate, Odhav, Ahmedabad - 382 415, Tel. : 079-22870088, 22870085
E-mail : rakeshenterprise99@gmail.com
- **MUMBAI** : DEEPAK ENTERPRISES :
Karmastambh, Unit No. G-D-8, Ground Floor, L.B.S. Marg, Vikhroli (W) Mumbai - 400 083
Tel. : 022-25770706 Fax : 25702975 E-mail : deepak_ent@yahoo.com
- **DELHI** : DEL-KAYESS INDUSTRIAL SERVICES :
5574-A/17 & Kansiram Market, New Chandrawal, (Opp. 18 F Kamalanagar) Delhi - 110 007
Tel. : 011-23858804, Telefax : 23856823 E-mail : deljayess@gmail.com
- **SECUNDERABAD** : COMMERCIAL ENGINEERING CORPORATION :
3 Aziz Mansion 5-5-83 Raniganj, Secunderabad - 500 003.
Tel. : 040-27714574, 27710272 E-mail : cecckg@gmail.com
- **CHENNAI** : SHREE SYSTEM ENTERPRISES :
"Shubhshree" H-26, Central Avenue, Korattur, Chennai-600 080
Phone : 044-26257205, 26252219 Fax : 044-26357379
E-mail : jeevandos@gmail.com